



VTS

0.96 UEF

Utilizes existing 1/2" gas line up to 24'

Self Calibration – Customizing unit operation parameters.

Simple field conversion from Natural Gas to LP/ Propane.

Environmentally friendly Low NOx combustion system – SCAQMD 1146.2 compliant.

Service friendly access panels and Air intake filter.

High quality Digital front panel display.

Applicable for residential and commercial installation.

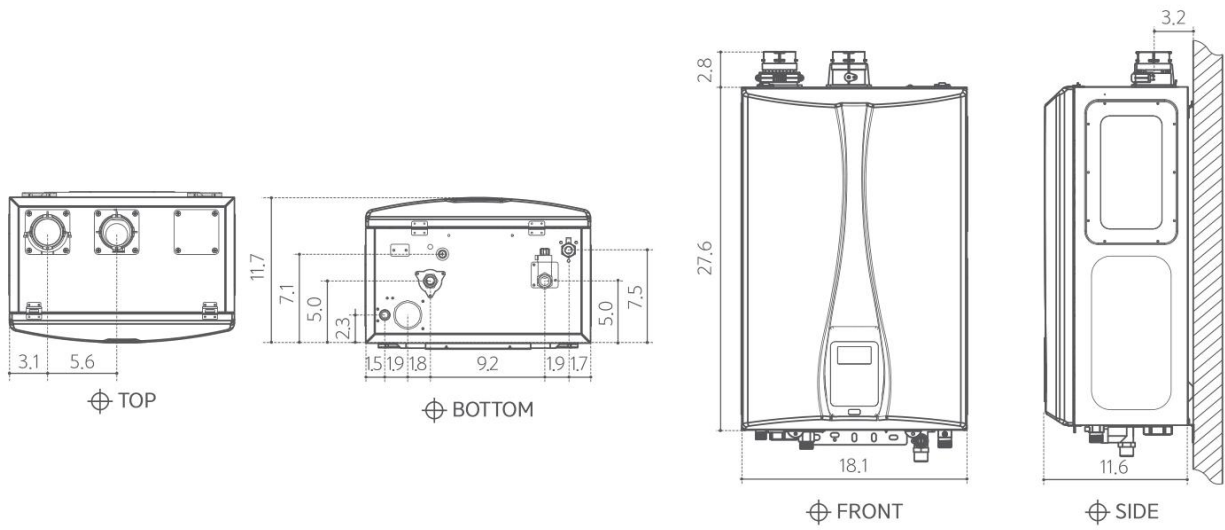
Built-in external measuring port for CO2 on the exhaust duct.

● SPECIFICATION

MODEL		VTS-150	VTS-199	
Heat Capacity (Input)	Natural Gas / Propane	19,900 – 150,000 BTU/H	19,900 – 199,000 BTU/H	
UEF	Natural Gas / Propane	0.96	0.96	
Flow Rate (DHW)	35°F (19°C) Temp Rise	8.4 GPM (32 LPM)	11.2 GPM (42 LPM)	
	45°F (25°C) Temp Rise	6.5 GPM (24 LPM)	8.7 GPM (33 LPM)	
	77°F (37°C) Temp Rise	3.8 GPM (14 LPM)	5.1 GPM (19 LPM)	
Dimension (W x H x D)		18.1" x 27.6" x 11.6" (460mm x 700mm x 295mm)		
Weight		67lbs(30kg)		
Installation Type		Indoor/Outdoor wall mounted		
Venting Type		Force draft direct vent		
Ignition		Electronic ignition		
Water Pressure		15 ~ 150 psi		
Supply Pressure	Natural Gas	3.5" ~ 10.5" WC		
	Propane Gas	8" ~ 13" WC		
Manifold Pressure	Natural Gas (Min. – Max.)	0.01"~0.35"WC (0.01"~0.30"WC)	0.01"~0.59"WC (0.01"~0.55"WC)	
	Propane Gas (Min. – Max.)	0.01"~0.30"WC (0.01"~0.26"WC)	0.01"~0.56"WC (0.01"~0.50"WC)	
Minimum Flow Rate		0.1 GPM		
Temperature Range		98°F ~ 140°F (37°C~60°C) / Commercial : up to 180°F(82°C)		
Connection Size	Cold Water Inlet	3/4" NPT		
	Hot Water Outlet	3/4" NPT		
	Recirculation Water Inlet	3/4" NPT (only VTP model)		
	Gas Inlet	3/4" NPT		
Power Supply	Main Supply	120V, AC 60Hz / use less than 5amp		
	Power Consumption	75 W	105 W	
Materials	Heat Exchanger	Stainless Steel		
Venting	Exhaust	2" or 3" PVC, CPVC, Polypropylene 2" or 3" Special gas vent type BH (Class II A/B/C)		
	Intake			
	Vent Clearances		0" to combustibles	
	Length	2"	60ft (18.3m)	
3"		150ft (45.7m)		
Safety Devices		Flame rod, APS, Overheat prevent, Freeze protection device, Exhaust temperature high limit sensor, Power surge fuse		



● DIMENSIONS [UNIT : Inch]



● CONFIGURATION

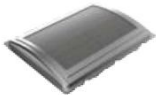
VENT

Designed for 2" venting (Up to 60')



BURNER

Eco-friendly Low NOx Metal Fiber Burner



HEAT EXCHANGER

High grade stainless steel heat exchanger



DISPLAY

High quality Digital front panel with easy functionality



Fully modulating Turbo Fan

ORIFICE

Easy field conversion from NG to LP



Negative Pressure Gas Valve for Maximum Efficiency

VALVE

Flow Control Valve + Mixing Valve produce stabilized setting temperature

