

HYDRATION STATION™

Electric Water Coolers
& Bottle Fillers



COMPETITIVE PRICE POINT

Unmatched design features backed by quality you'd only expect from Haws®, the electric water cooler is essential to any new construction or retrofit project.



FUNCTIONAL DESIGN

Ease of installation and maintenance entice beyond its attractive, durable design. Built-in energy saving features, and wear-resistant materials and components make the electric water cooler the obvious choice.



CONTEMPORARY

The clean lines are merely the visible cutting-edge features with the most creative innovations inside the contemporary shell. From the proprietary electronics that drive the intuitive LED display, to the accessible configuration of the internal mechanics, this unit captivates as it outperforms the competition.



Over 100 Years of Hydration Innovation



DURABLE

- Vandal resistance features include a hidden programming button, anti-rotational bubbler head, torx bit access screws, steel frame, and fasteners hidden from view
- Integral laminar flow technology
- Enhanced tankless water cooler for consistently cooled water during use (Patent # US11203516B2)
- Self-leveling mounting system ensures flush alignment every time (Patent # US10934694B1)



SUSTAINABLE

- Energy saving 24-hour automatic shut-off feature when idle for extended periods of time
- Bottle counter display for single use plastic bottles saved
- 100% lead-free waterways



1211SFH model shown

Haws
QUICKInstall
= Up to 50% faster



HYGIENIC

- 24-hour purge feature on bottle filler
- NSF certified carbon block filter cartridge
- Service life: 1 year or 3,000 gallons (11356L)
- Hands-free sensor options available
- Sensor-activated bottle filler



FUNCTIONAL

- Industry-leading bottle fill rate (1.5 gpm)
- Large clearances make filter replacement and maintenance painless
- Designed with retrofit and replacement advantages

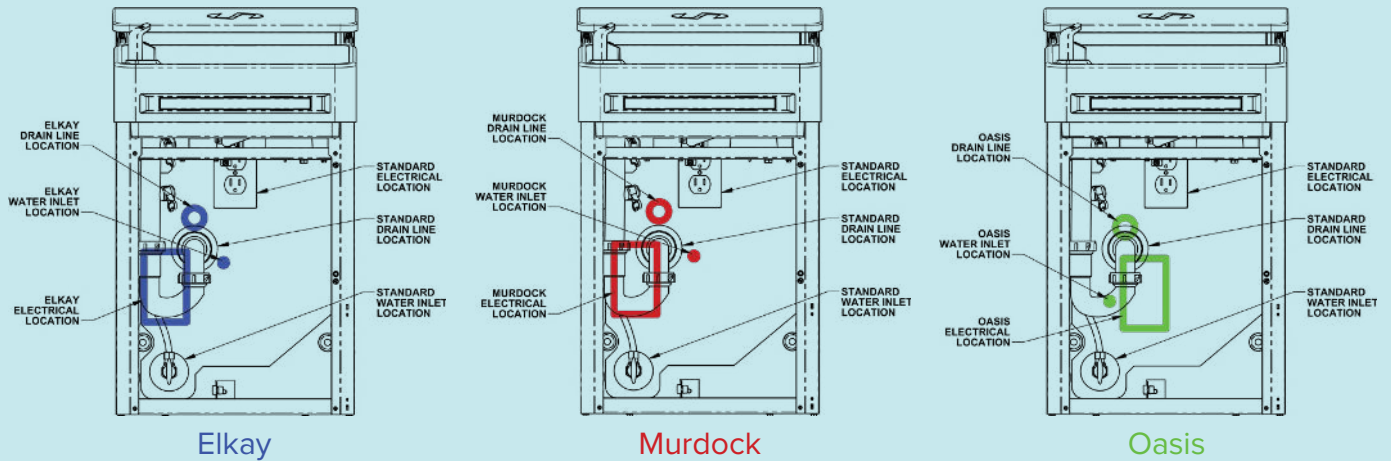
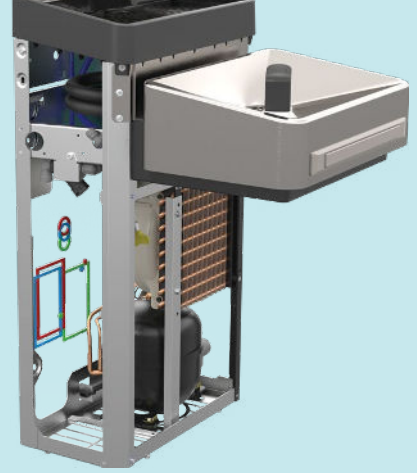


SCAN ME

Contact your **Haws** distributor or sales representative for availability and ordering.
Visit hawsco.com/ewc for more information.

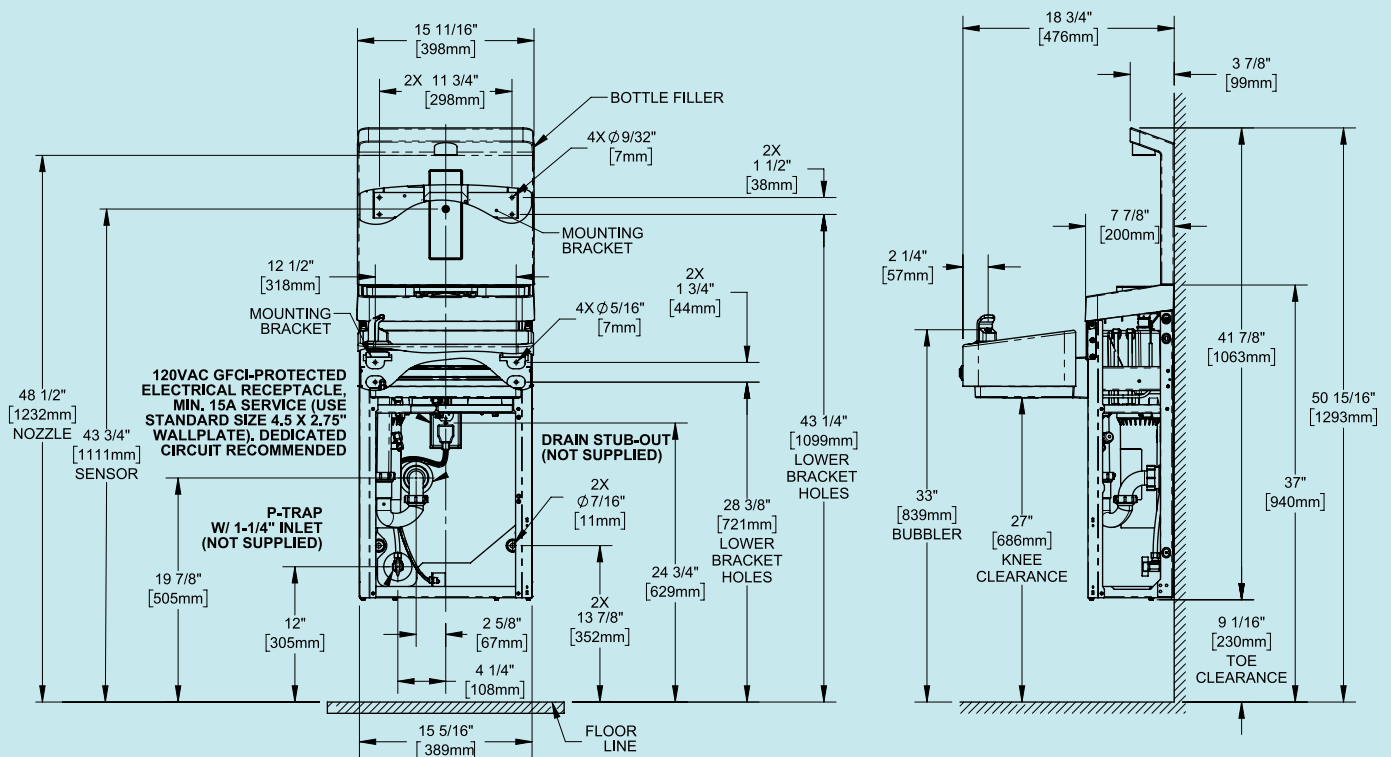
Retrofit and Replacement Advantages

Designed to replace existing fountains, our units feature open work areas and access points to line up with most existing fountains on the market.



Universal Design for Universal Access

Install Drawing - Typical Single w/ Bottle Filler Unit



Full install drawings available at Hawscoweb.com/ewc.



FCC/IC

Quality that delivers. Design that captivates.

Haws has a well-earned reputation for designing and manufacturing the highest quality hydration products in the industry.

Essential to any project.

Designed with the installer in mind, the unit provides large clearances inside to allow for easy installation, filter replacement, and maintenance. The electric water cooler is the only water cooler that combines a self-adjusting flow control with a laminar flow insert in the bubbler head nozzle. In addition, certain models have standard features that would be costly upgrades for other companies, including stainless steel finish, energy savings mode, LED electronic display, and 24-hour purge feature. All of these features make the electric water cooler the most economical and modern choice on the market.



1212SF | Hi-Lo with Bottle Filler

Hi-lo, stainless steel, wall-mounted, filtered electric water cooler with bottle filler



1211SF | Single with Bottle Filler

Single, stainless steel, wall-mounted, filtered electric water cooler with bottle filler

EWC Product Configurator

MODEL EXAMPLE: 1 2 1 1 S F H

Bottle Fillers (0 or 1)

Drinking Fountains (1 or 2)

Material (S)

Filtered (F)

Sensor Operated (Hands free)



1202SF | Hi-Lo

Hi-lo, stainless steel, wall-mounted, filtered electric water cooler



1201SF | Single

Single, stainless steel, wall-mounted, filtered electric water cooler



1210SF | Bottle Filler

Single, stainless steel, sensor-activated, filtered bottle filler with electric cooler

Most models available with non-filter options.



US/Canada

Haws HQ • www.hawSCO.com • +1888.640.4297

Latin America

Haws LATAM • www.hawSCO.com.br • +55.11.4813.9977

Asia Pacific

Haws APAC • www.hawSCO.sg • +65.6367.0359

Europe/Middle East/Africa

Haws EMEA • www.hawSCO.ch • +41 (0) 34.420.6000



1455 KLEPPE LANE :: SPARKS, NV 89431

www.hawSCO.com :: 1.888.640.4297 :: +1.775.359.4712 :: fax: 1.775.359.7424 :: email: info@hawSCO.com

©2024 Haws :: All Rights Reserved :: REV 0324